

Magnetic Incremental Encoder

- 58 mm case diameter
- Magnetic incremental rotary encoder
- 2 - 4 - 8 - 16 - 25 - 32 - 40 - 50 - 64 - 80 - 100 - 125, 128 - 160 - 200 - 250 - 256 - 400 - 500 - 512 ppr.
- Very useful for outdoor applications



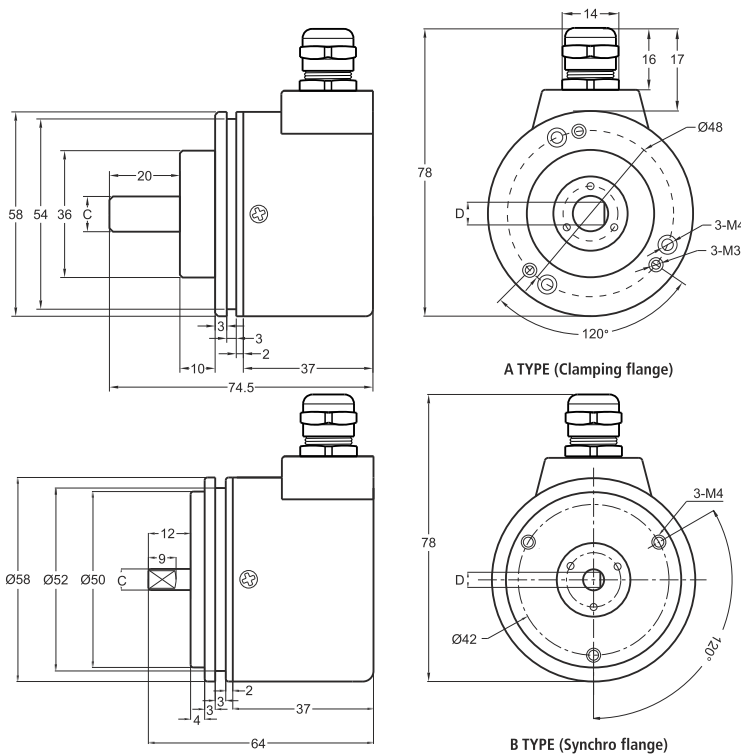
MRI A
Clamping flange



MRI B
Synchro flange

Technical Specifications

Type of Measurement	Magnetic incremental non-contact
Resolution	2 ... 512 ppr.
Output Channels	A,B,Z or A,Ā, B,Ā, Z,Z̄
Output Type	Pushpull, TTL Linedriver, HTL Linedriver
Supply Voltage	5V DC, 8-24V DC, 5-24V DC
Power Consumption	< 40 mA (24 VDC)
Electrical Connections	2.5m (Standard) 5 Wire + Shield for Pushpull 2.5m (Standard) 8 Wire + Shield for Linedriver
Max. Permissible Shaft Loading Radial	60 N
Axial	40 N
Max. Speed	3.500 rpm
Shaft Diameter	Ø6 - 8 - 10 mm
Shaft Material	Stainless Steel
Case Diameter	Ø58 mm
Case Material	Aluminium / Steel
IP Degree	IP 54
Operating Temperature	-20°C ... +80°C
Storage Temperature	-30°C ... +90°C



Push-Pull Cable Output

+V : Brown
0V : White
GND : Shield
Ch A : Yellow
Ch B : Green
Ch Z : Gray

TTL - HTL Linedriver Cable Output

+V : Brown
0V : White
GND : Shield
Ch A : Yellow
Ch B : Green
Ch Z : Gray
Ch A inv. : Blue
Ch B inv. : Red
Ch Z inv. : Pink

MRI 58	AR (shaft)		BR (shaft)	
	C	D	C	D
	Ø6mm	5mm	Ø6mm	5mm
Ø8mm	7mm	Ø8mm	7mm	
Ø10mm	9mm	Ø10mm	9mm	

Model	Case Diameter	Case Type	Shaft Diameter	Output	Resolution	Output Channels	Supply Voltage	Connector / Cable	Cable Output
(example) MRI	58	A	R8	HLD	512	ZZ	V2	2M5	R
MRI	58mm	A : Clamping flange AW : Water proof B : Synchro flange BW : Water proof	R6 : 6mm R8 : 8mm R10 : 10mm	LTP : Push-Pull LD : TTL Linedriver HLD : HTL Linedriver	2 ... 512 ppr.	Z : A, B, Z ZZ : AA, BB, ZZ	V1 : 5V DC V2 : 8-24V DC	2M5 : 2,5 meter cable 5M : 5 meter cable 8M : 8 meter cable 10M : 10 meter cable	R : Radial A : Axial